

# Making a Periscope

Follow these instructions to make your own working periscope.

## You will need:

A cereal box



A pair of scissors



2 safety mirrors

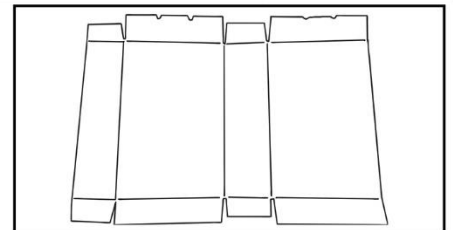


Sticky tape



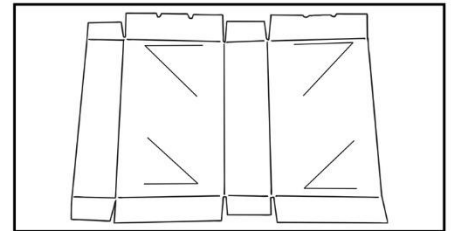
## Step 1

Carefully open up your cereal box and lay it out flat.



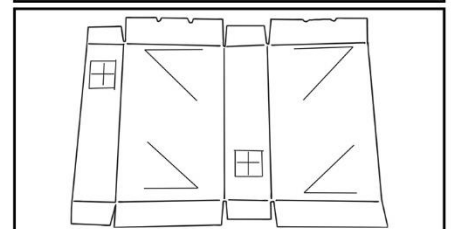
## Step 2

Stick the 'mirror' templates in the centre of the wide panels of the cereal box.



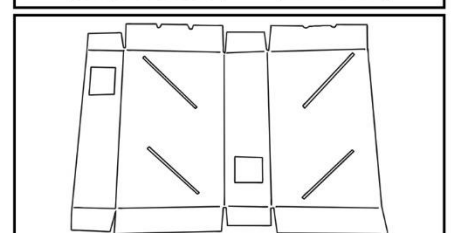
## Step 3

Stick the 'window' templates in the centre of the narrow panels of the cereal box.



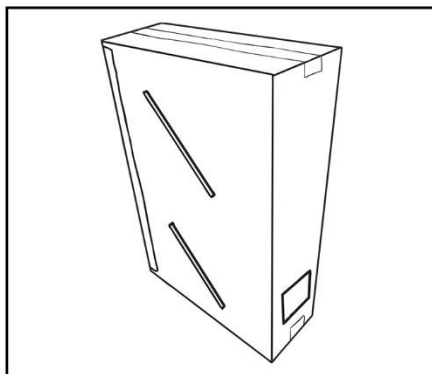
## Step 4

Carefully cut along the lines for the mirrors, and cut out the windows.



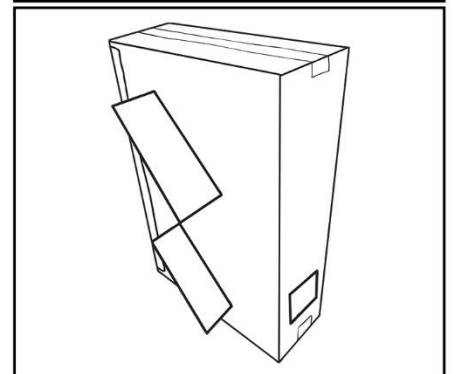
## Step 5

Use sticky tape to stick the cereal box back together.



## Step 6

Push the mirrors through the mirror lines you cut, and out the other side of the box so they are held firmly in place.



You should now be able to use your periscope to look around or over things!  
Look through one viewing window to see an image from the other window.



# Making a Periscope

## How Does it Work?

The mirrors in the periscope reflect light to enable you to see an image of an object around a corner or over the top of another object. Explain how they do this by completing the sentences below.

Light from a light source \_\_\_\_\_ an object.

The light travels through the top window and hits the first \_\_\_\_\_.

The light \_\_\_\_\_ off this mirror down the \_\_\_\_\_, then hits the second mirror.

The light ray is \_\_\_\_\_ off this mirror, and travels out of the viewing window to my \_\_\_\_\_.

I can see an \_\_\_\_\_ of the object!

Use these words to fill the gaps.

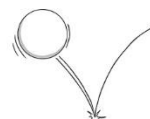
periscope



eyes



bounces



travel

reflected



image



mirror



hits